

BERNSTEIN aluminium enclosures have a well proven record of success in encapsulating electrical, electronic or pneumatic components, while also being ideally suited for applications in potentially explosive atmospheres.

All enclosures comply with protection class IP 66 according to DIN EN 60529 (optionally IP 67).

BERNSTEIN aluminium enclosures feature earthing screws (copper-plated, M4 or M6) in the body and in the cover for connecting PE conductors. The surfaces under the earthing screws are left blank. The screws for mounting the covers on BERNSTEIN enclosures are made from stainless steel and are held captive by the self-latching hinge integrated in the cover. The protection class (on the standard enclosure) is ensured by a factory-fitted seal. BERNSTEIN aluminium enclosures are finished as standard in RAL 7001 (silver grey).

BERNSTEIN uses pressure die-casting or gravity die-casting moulds to manufacture

the aluminium enclosures.

The mounting flanges or even the earthing socket on the inside of the enclosure can be used for mounting and securing built-in components (mounting rail, mounting plate, pc board etc.). These mounting points on the inside of the enclosures are located at different levels and in different positions. The dimensioned drawings on the following pages show the relevant positions.

Technical data

Material

Aluminium pressure die-casting or gravity die-casting

Seal

Neoprene (CR) round cord (silicone-free), silicone round cord, EPDM round cord

Cover screws

Stainless steel, captive, cross recessed head



Optionally:

- Stainless steel, captive hexagon socket head cap screws
- Sealed cover screws, steel (9 S 20 K), slot head (on request)

Coating

Standard: RAL 7001 (silver grey)

Optionally:

- Special RAL colours
- Special coatings
- The standard coating is salt spray resistant in accordance with IEC 60068-2-52, severity level 1. A chromalized surface finish is additionally available on request.

Temperature range of CA enclosures, standard powder-coated finish

-30°C to +80°C

Please contact us for higher temperature ranges.

Temperature range of seals

-30°C to +80°C (Neoprene seal)

Alternatively:

-60 °C to +130°C (silicone seal)
or rather -35°C to +100°C (EPDM seal)

Protection class

IP 66

IP 67 on request

Approbations

Germanischer Lloyd

UL

ATEX

Label on demand



| Aluminium enclosure | | | | | | |
|---------------------|-------|-------|----------------|--------|--|--|
| Dimensions/mm | | | Article number | Type | | |
| L | x B | x H | | | | |
| 50 | x 45 | x 30 | 102000000 | CA-020 | | |
| 58 | x 64 | x 36 | 106000000 | CA-060 | | |
| 98 | x 64 | x 36 | 108000000 | CA-080 | | |
| 150 | x 64 | x 36 | 110000000 | CA-100 | | |
| 75 | x 80 | x 57 | 113000000 | CA-130 | | |
| 75 | x 80 | x 57 | 114000000 | CA-140 | | |
| 125 | x 80 | x 57 | 115000000 | CA-150 | | |
| 125 | x 80 | x 57 | 116000000 | CA-160 | | |
| 175 | x 80 | x 57 | 117000000 | CA-170 | | |
| 175 | x 80 | x 57 | 118000000 | CA-180 | | |
| 250 | x 80 | x 57 | 119000000 | CA-190 | | |
| 122 | x 122 | x 80 | 121000000 | CA-210 | | |
| 122 | x 122 | x 90 | 1210000050 | CA-215 | | |
| 122 | x 122 | x 80 | 122000000 | CA-220 | | |
| 220 | x 122 | x 80 | 123000000 | CA-230 | | |
| 220 | x 122 | x 90 | 1230000050 | CA-235 | | |
| 220 | x 122 | x 80 | 124000000 | CA-240 | | |
| 360 | x 122 | x 80 | 125000000 | CA-250 | | |
| 160 | x 160 | x 90 | 127000000 | CA-270 | | |
| 160 | x 160 | x 90 | 128000000 | CA-280 | | |
| 260 | x 160 | x 90 | 129000000 | CA-290 | | |
| 260 | x 160 | x 90 | 130000000 | CA-300 | | |
| 360 | x 160 | x 90 | 131000000 | CA-310 | | |
| 560 | x 160 | x 90 | 133000000 | CA-330 | | |
| 200 | x 230 | x 110 | 135000000 | CA-350 | | |
| 200 | x 230 | x 180 | 136000000 | CA-360 | | |
| 280 | x 230 | x 110 | 137000000 | CA-370 | | |
| 330 | x 230 | x 110 | 138000000 | CA-380 | | |
| 330 | x 230 | x 180 | 139000000 | CA-390 | | |
| 401 | x 230 | x 110 | 140000000 | CA-400 | | |
| 600 | x 230 | x 110 | 142000000 | CA-420 | | |
| 402 | x 310 | x 110 | 145000000 | CA-450 | | |
| 402 | x 310 | x 180 | 146000000 | CA-460 | | |
| 600 | x 310 | x 110 | 147000000 | CA-470 | | |
| 600 | x 310 | x 180 | 148000000 | CA-480 | | |

This is just a selection of possible assembly components that BERNSTEIN offers. Contact us, we can incorporate components from all leading manufacturers to satisfy your individual demand. You find further information about "System solutions" on page 12.



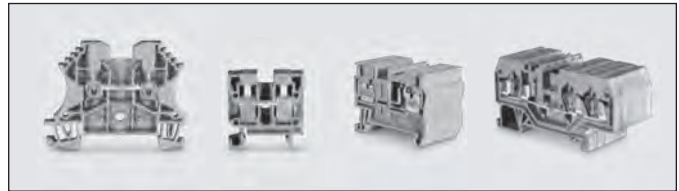
Mounting plates

made from galvanised steel plate (thickness: CA-060 to CA-310, CA-350 to CA-400: 1.5 mm; CA-330, CA-420 to CA-480: 2.5 mm) for versatile mounting of built-in components.



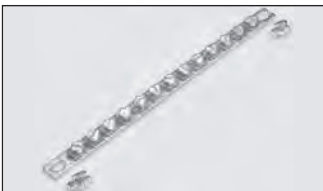
Mounting rails

conforming to Standards TS 15 or TS 32 and TS 35 made from steel; surface treated for accepting terminal blocks.



Terminal blocks

of all renowned manufacturers are used.



Earthing bars

made from galvanised steel for combining and connecting PE conductors.



External mounting brackets

made from stainless steel for mounting enclosures without opening the covers. Variable mounting in 90°-steps thanks to contour in base of enclosure.



External articulated hinges

for hinged mounting of enclosure cover. Opening range of cover approx. 155°. Cast aluminium (painted in RAL 7001 – specific colour according to enclosure specification possible). Machining is required for mounting on enclosures.



Internal articulated hinges

for hinged mounting of enclosure cover. Opening range of cover approx. 95°. Stainless steel. Machining is required for mounting on enclosures.



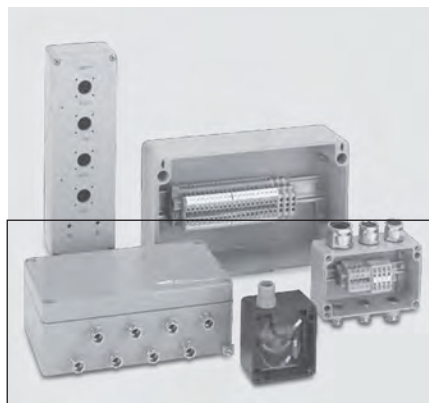
Silicon, EPDM or HF seal

with increased temperature resistance (see indications left side) or to protect sensitive electronic equipment against high-frequency radiation (HF seal). For a conductive connection, grooves and springs of the enclosure must be left blank.



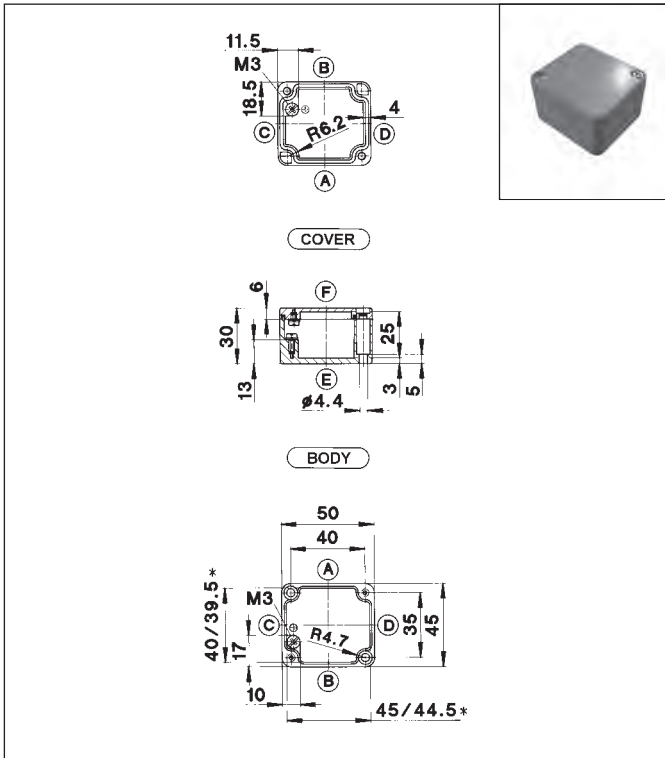
Cable glands

plastic cable glands (polyamide PAGV-2, RAL 7001) or brass cable glands. Sealing element CR/NBR. Temperature range: -20°C to +100°C. Other cable glands on demand.



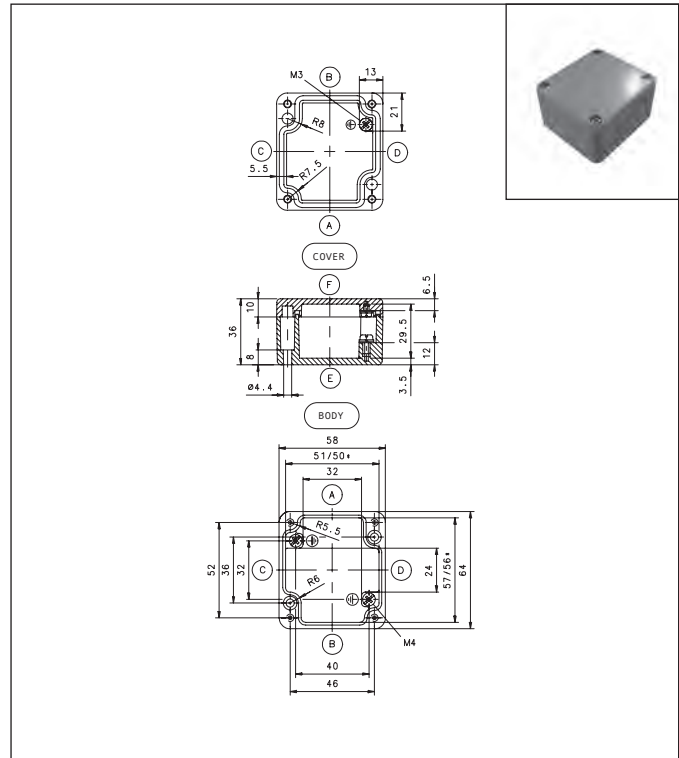
50 x 45 x 30 mm

CA-020
Aluminium enclosures



58 x 64 x 36 mm

CA-060
Aluminium enclosures



* Smaller dimension at mounting plate support

* Smaller dimension at mounting plate support

| Type | CA-020 |
|---|---|
| Weight (g) | 70 |
| External dimension (mm) | 50 x 45 x 30 |
| Ordering data Enclosure (painted) with seal (CR) with cover screws | Part number 1020000000 |
| unwashed, not painted, loose accessories | 1020034000 |
| Accessories (individual part or installation kit) | |
| Mounting plate | - |
| Mounting rail TS 15 | - |
| Mounting rail TS 32 | - |
| Mounting rail TS 35 | - |
| Earthing rail | - |
| External mounting brackets | - |
| External articulated hinges | - |
| Internal articulated hinges with cover guide** | - |
| Silicone seal for extended temperature range (by the metre) | - |
| Maximum possible number of threads | |
| ISO M | 12 16 20 25 32 40 50 63 |
| Side A/B | 1 0 0 0 0 0 0 0 |
| Side C/D | 1 0 0 0 0 0 0 0 |

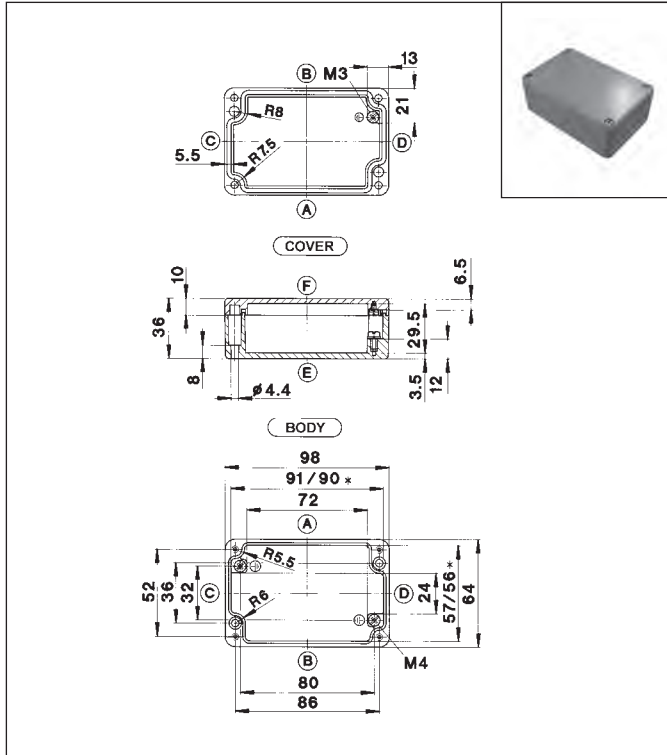
** Enclosure preparation required

| Type | CA-060 |
|---|---|
| Weight (g) | 160 |
| External dimension (mm) | 58 x 64 x 36 |
| Ordering data Enclosure (painted) with seal (CR) with cover screws | Part number 1060000000 |
| unwashed, not painted, loose accessories | 1060038000 |
| Accessories (individual part or installation kit) | |
| Mounting plate | 9511001000 |
| Mounting rail TS 15 | 9820000000 |
| Mounting rail TS 32 | - |
| Mounting rail TS 35 | - |
| Earthing rail | - |
| External mounting brackets | - |
| External articulated hinges | - |
| Internal articulated hinges with cover guide** | - |
| Silicone seal for extended temperature range (by the metre) | on request |
| Maximum possible number of threads | |
| ISO M | 12 16 20 25 32 40 50 63 |
| Side A/B | 2 1 0 0 0 0 0 0 |
| Side C/D | 1 0 0 0 0 0 0 0 |

** Enclosure preparation required

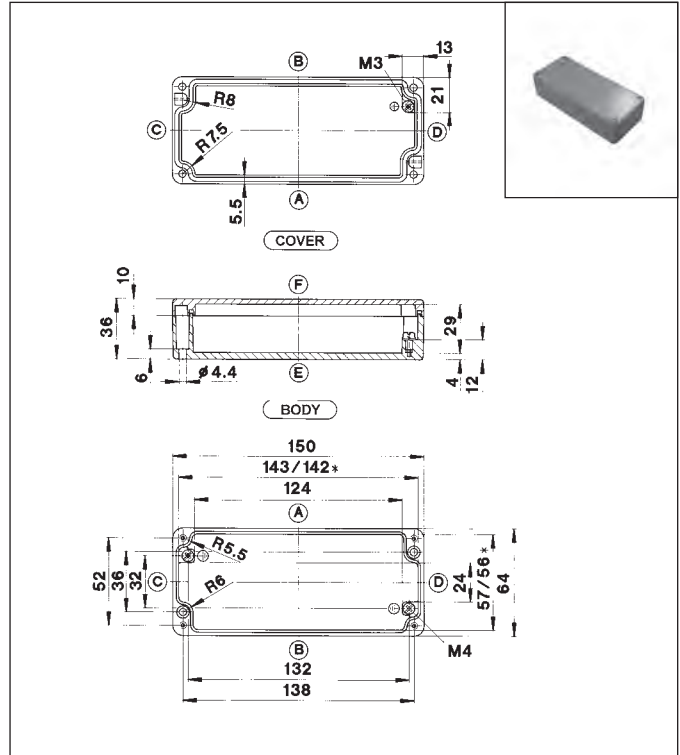
98 x 64 x 36 mm

CA-080
Aluminium enclosures



150 x 64 x 36 mm

CA-100
Aluminium enclosures



* Smaller dimension at mounting plate support

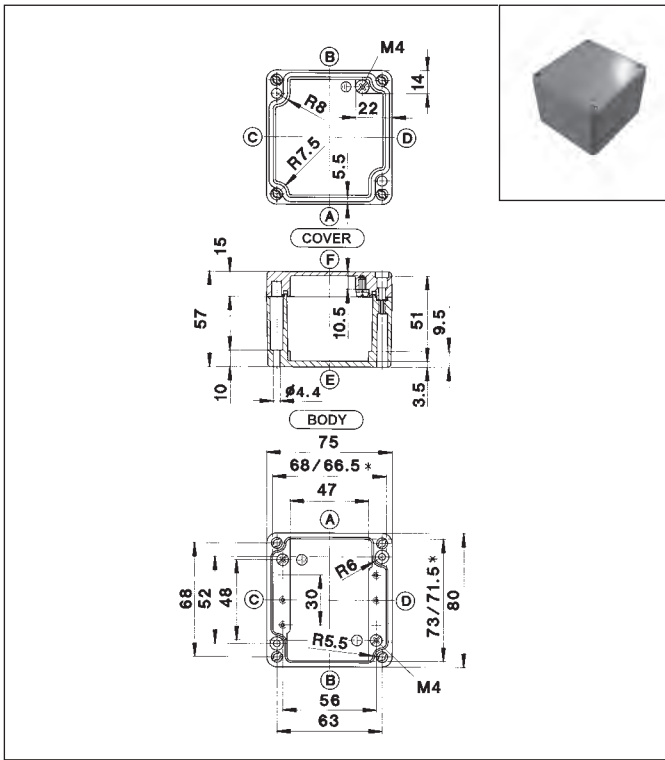
* Smaller dimension at mounting plate support

| Type | CA-080 |
|---|-------------------------|
| Weight (g) | 220 |
| External dimension (mm) | 98 x 64 x 36 |
| Ordering data Enclosure (painted) with seal (CR) | Part number |
| with cover screws | 1080000000 |
| unwashed, not painted, loose accessories | 1080042000 |
| | |
| | |
| | |
| Accessories (individual part or installation kit) | |
| Mounting plate | 9511002000 |
| Mounting rail TS 15 | 9820005000 |
| Mounting rail TS 32 | - |
| Mounting rail TS 35 | - |
| Earthing rail | - |
| External mounting brackets | - |
| External articulated hinges | - |
| Internal articulated hinges with cover guide** | - |
| Silicone seal for extended temperature range (by the metre) | on request |
| | |
| Maximum possible number of threads | |
| ISO M | 12 16 20 25 32 40 50 63 |
| Side A/B | 4 3 0 0 0 0 0 0 |
| Side C/D | 1 0 0 0 0 0 0 0 |
| ** Enclosure preparation required | |

| Type | CA-100 |
|---|-------------------------|
| Weight (g) | 330 |
| External dimension (mm) | 150 x 64 x 36 |
| Ordering data Enclosure (painted) with seal (CR) | Part number |
| with cover screws | 1100000000 |
| unwashed, not painted, loose accessories | 1100053000 |
| | |
| | |
| | |
| Accessories (individual part or installation kit) | |
| Mounting plate | 9511003000 |
| Mounting rail TS 15 | 9820011000 |
| Mounting rail TS 32 | - |
| Mounting rail TS 35 | - |
| Earthing rail | - |
| External mounting brackets | - |
| External articulated hinges | - |
| Internal articulated hinges with cover guide** | - |
| Silicone seal for extended temperature range (by the metre) | on request |
| | |
| Maximum possible number of threads | |
| ISO M | 12 16 20 25 32 40 50 63 |
| Side A/B | 6 4 0 0 0 0 0 0 |
| Side C/D | 1 0 0 0 0 0 0 0 |
| ** Enclosure preparation required | |

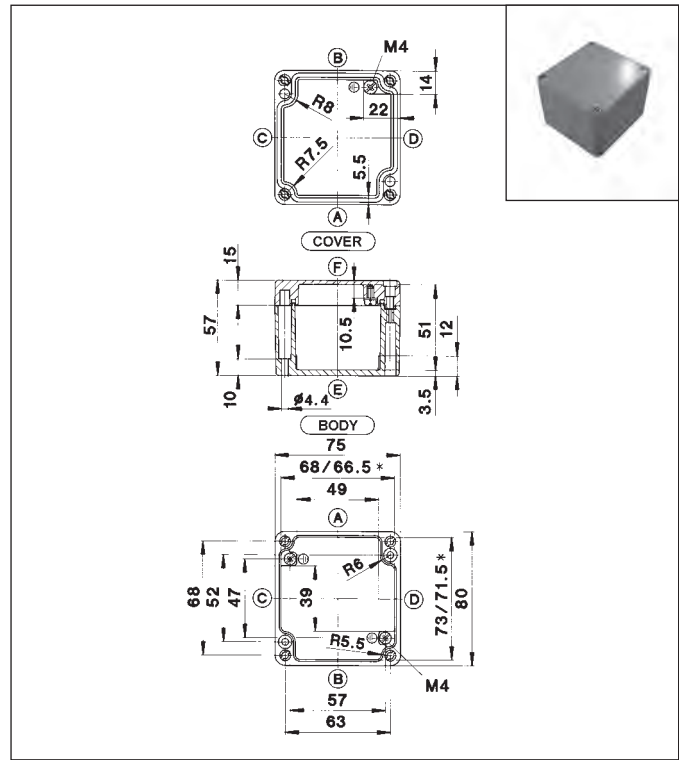
75 x 80 x 57 mm

CA-130
Aluminium enclosures



75 x 80 x 57 mm

CA-140
Aluminium enclosures



* Smaller dimension at mounting plate support

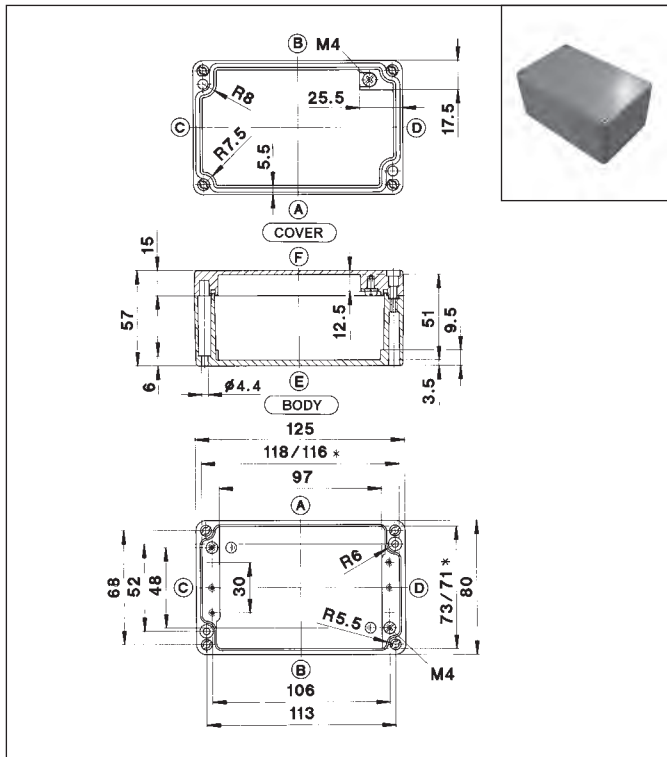
* Smaller dimension at mounting plate support

| Type | CA-130 |
|---|-------------------------|
| Weight (g) | 280 |
| External dimension (mm) | 75 x 80 x 57 |
| Ordering data Enclosure (painted) with seal (CR) | Part number |
| with cover screws | 1130000000 |
| unwashed, not painted, loose accessories | 1130057000 |
| Accessories (individual part or installation kit) | |
| Mounting plate | 9823015000 |
| Mounting rail TS 15 | 9820002000 |
| Mounting rail TS 32 | - |
| Mounting rail TS 35 | - |
| Earthing rail | - |
| External mounting brackets | - |
| External articulated hinges | 9801044000 |
| Internal articulated hinges with cover guide** | - |
| Silicone seal for extended temperature range (by the metre) | on request |
| Maximum possible number of threads | |
| ISO M | 12 16 20 25 32 40 50 63 |
| Side A/B | 5 2 1 0 0 0 0 0 |
| Side C/D | 3 2 1 0 0 0 0 0 |
| ** Enclosure preparation required | |

| Type | CA-140 |
|---|-------------------------|
| Weight (g) | 280 |
| External dimension (mm) | 75 x 80 x 57 |
| Ordering data Enclosure (painted) with seal (CR) | Part number |
| with cover screws | 1140000000 |
| unwashed, not painted, loose accessories | 1140080000 |
| Accessories (individual part or installation kit) | |
| Mounting plate | 9511004000 |
| Mounting rail TS 15 | 9820035000 |
| Mounting rail TS 32 | - |
| Mounting rail TS 35 | - |
| Earthing rail | - |
| External mounting brackets | - |
| External articulated hinges | 9801044000 |
| Internal articulated hinges with cover guide** | - |
| Silicone seal for extended temperature range (by the metre) | on request |
| Maximum possible number of threads | |
| ISO M | 12 16 20 25 32 40 50 63 |
| Side A/B | 5 2 1 1 0 0 0 0 |
| Side C/D | 3 2 1 1 0 0 0 0 |
| ** Enclosure preparation required | |

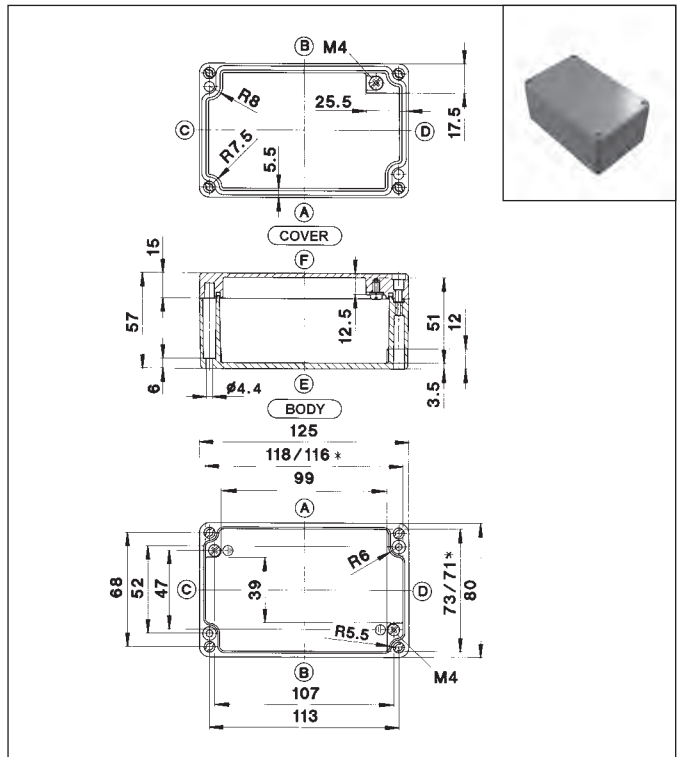
125 x 80 x 57 mm

CA-150
Aluminium enclosures



125 x 80 x 57 mm

CA-160
Aluminium enclosures



* Smaller dimension at mounting plate support

* Smaller dimension at mounting plate support

| Type | CA-150 |
|---|---|
| Weight (g) | 435 |
| External dimension (mm) | 125 x 80 x 57 |
| Ordering data Enclosure (painted) with seal (CR) with cover screws | Part number 1150000000 |
| unwashed, not painted, loose accessories | 1150019000 |
| Accessories (individual part or installation kit) | |
| Mounting plate | 9823016000 |
| Mounting rail TS 15 | 9820010000 |
| Mounting rail TS 32 | - |
| Mounting rail TS 35 | - |
| Earthing rail | - |
| External mounting brackets | - |
| External articulated hinges | 9801044000 |
| Internal articulated hinges with cover guide** | - |
| Silicone seal for extended temperature range (by the metre) | on request |
| Maximum possible number of threads | |
| ISO M | 12 16 20 25 32 40 50 63 |
| Side A/B | 10 4 3 2 0 0 0 0 |
| Side C/D | 3 2 1 0 0 0 0 0 |

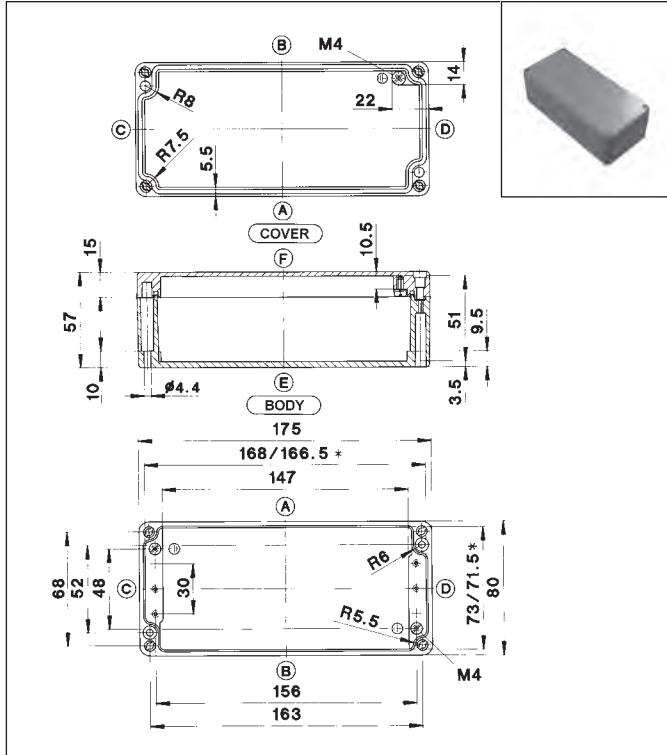
** Enclosure preparation required

| Type | CA-160 |
|---|---|
| Weight (g) | 435 |
| External dimension (mm) | 125 x 80 x 57 |
| Ordering data Enclosure (painted) with seal (CR) with cover screws | Part number 1160000000 |
| unwashed, not painted, loose accessories | 1160045000 |
| Accessories (individual part or installation kit) | |
| Mounting plate | 9511005000 |
| Mounting rail TS 15 | 9820036000 |
| Mounting rail TS 32 | - |
| Mounting rail TS 35 | - |
| Earthing rail | - |
| External mounting brackets | - |
| External articulated hinges | 9801044000 |
| Internal articulated hinges with cover guide** | - |
| Silicone seal for extended temperature range (by the metre) | on request |
| Maximum possible number of threads | |
| ISO M | 12 16 20 25 32 40 50 63 |
| Side A/B | 10 4 3 2 0 0 0 0 |
| Side C/D | 4 2 1 1 0 0 0 0 |

** Enclosure preparation required

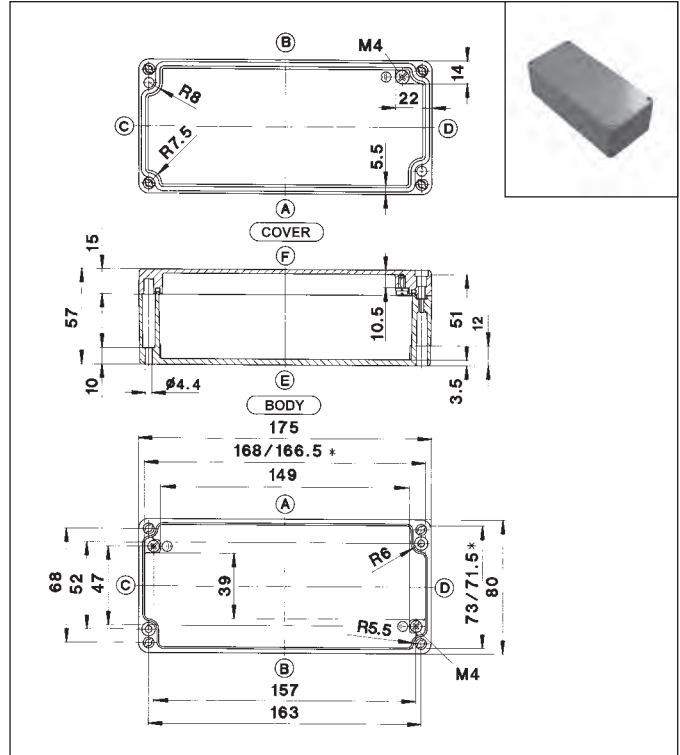
175 x 80 x 57 mm

CA-170
Aluminium enclosures



175 x 80 x 57 mm

CA-180
Aluminium enclosures



* Smaller dimension at mounting plate support

* Smaller dimension at mounting plate support

| Type | CA-170 |
|---|---|
| Weight (g) | 530 |
| External dimension (mm) | 175 x 80 x 57 |
| Ordering data Enclosure (painted) with seal (CR) with cover screws | Part number 1170000000 |
| unwashed, not painted, loose accessories | 1170016000 |
| Accessories (individual part or installation kit) | |
| Mounting plate | 9823017000 |
| Mounting rail TS 15 | 9820014000 |
| Mounting rail TS 32 | - |
| Mounting rail TS 35 | - |
| Earthing rail | - |
| External mounting brackets | - |
| External articulated hinges | 9801044000 |
| Internal articulated hinges with cover guide** | - |
| Silicone seal for extended temperature range (by the metre) | on request |
| Maximum possible number of threads | |
| ISO M | 12 16 20 25 32 40 50 63 |
| Side A/B | 14 6 4 4 0 0 0 0 |
| Side C/D | 3 2 1 0 0 0 0 0 |

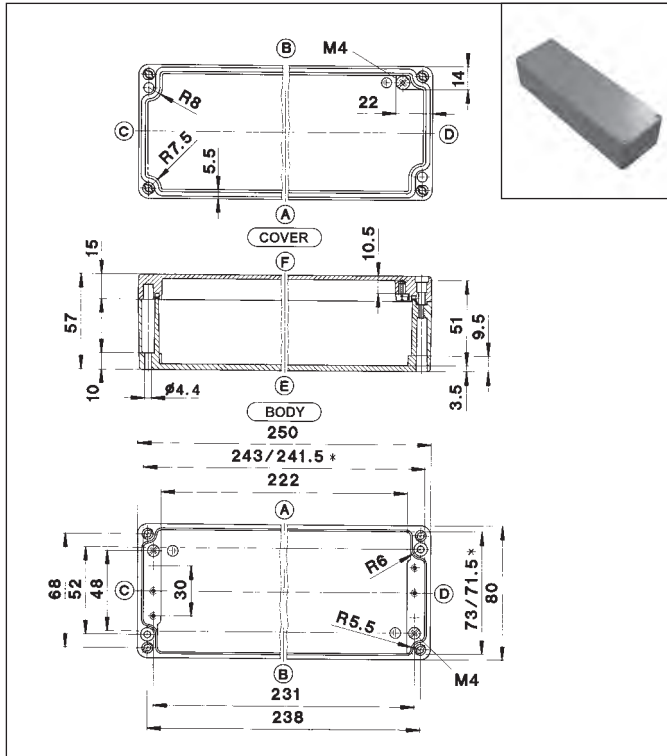
** Enclosure preparation required

| Type | CA-180 |
|---|---|
| Weight (g) | 530 |
| External dimension (mm) | 175 x 80 x 57 |
| Ordering data Enclosure (painted) with seal (CR) with cover screws | Part number 1180000000 |
| unwashed, not painted, loose accessories | 1180040000 |
| Accessories (individual part or installation kit) | |
| Mounting plate | 9511006000 |
| Mounting rail TS 15 | 9820037000 |
| Mounting rail TS 32 | - |
| Mounting rail TS 35 | - |
| Earthing rail | - |
| External mounting brackets | - |
| External articulated hinges | 9801044000 |
| Internal articulated hinges with cover guide** | - |
| Silicone seal for extended temperature range (by the metre) | on request |
| Maximum possible number of threads | |
| ISO M | 12 16 20 25 32 40 50 63 |
| Side A/B | 14 6 4 4 0 0 0 0 |
| Side C/D | 4 2 1 1 0 0 0 0 |

** Enclosure preparation required

250 x 80 x 57 mm

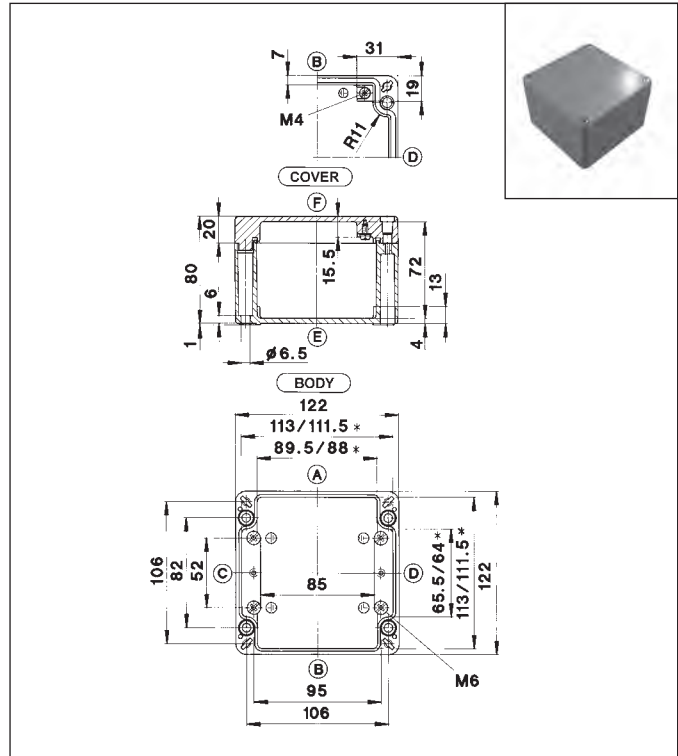
CA-190
Aluminium enclosures



* Smaller dimension at mounting plate support

122 x 122 x 80 mm

CA-210
Aluminium enclosures



* Smaller dimension at mounting plate support

| Type | CA-190 |
|---|----------------------------------|
| Weight (g) | 710 |
| External dimension (mm) | 250 x 80 x 57 |
| Ordering data Enclosure (painted) with seal (CR) with cover screws | Part number 1190000000 |
| Unwashed, not painted, loose accessories | 1190026000 |
| Accessories (individual part or installation kit) | |
| Mounting plate | 9823021000 |
| Mounting rail TS 15 | 9820019000 |
| Mounting rail TS 32 | - |
| Mounting rail TS 35 | - |
| Earthing rail | - |
| External mounting brackets | - |
| External articulated hinges | 9801044000 |
| Internal articulated hinges with cover guide** | - |
| Silicone seal for extended temperature range (by the metre) | on request |
| Maximum possible number of threads | |
| ISO M | 12 16 20 25 32 40 50 63 |
| Side A/B | 22 9 7 5 0 0 0 0 |
| Side C/D | 3 2 1 0 0 0 0 0 |

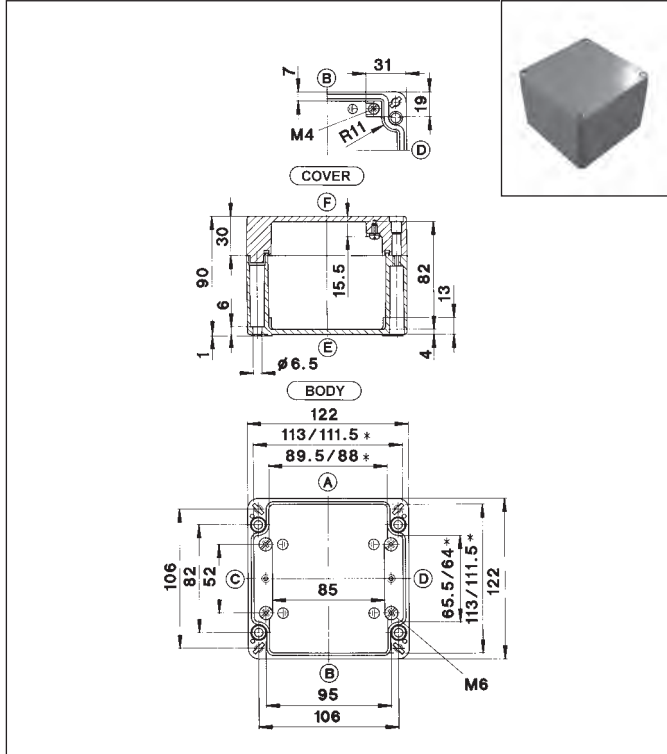
** Enclosure preparation required

| Type | CA-210 |
|---|----------------------------------|
| Weight (g) | 940 |
| External dimension (mm) | 122 x 122 x 80 |
| Ordering data Enclosure (painted) with seal (CR) with cover screws | Part number 1210000000 |
| Unwashed, not painted, loose accessories | 1210016000 |
| Accessories (individual part or installation kit) | |
| Mounting plate | 9511150000 |
| Mounting rail TS 15 | 9820019000 |
| Mounting rail TS 32 | 9821000000 |
| Mounting rail TS 35 | 9822001000 |
| Earthing rail | 9810002000 |
| External mounting brackets | 9824024000 |
| External articulated hinges | 9801047000 |
| Internal articulated hinges with cover guide** | 9801031000 |
| Silicone seal for extended temperature range (by the metre) | on request |
| Maximum possible number of threads | |
| ISO M | 12 16 20 25 32 40 50 63 |
| Side A/B | 12 6 4 2 2 0 0 0 |
| Side C/D | 5 2 2 1 0 0 0 0 |

** Enclosure preparation required

122 x 122 x 90 mm

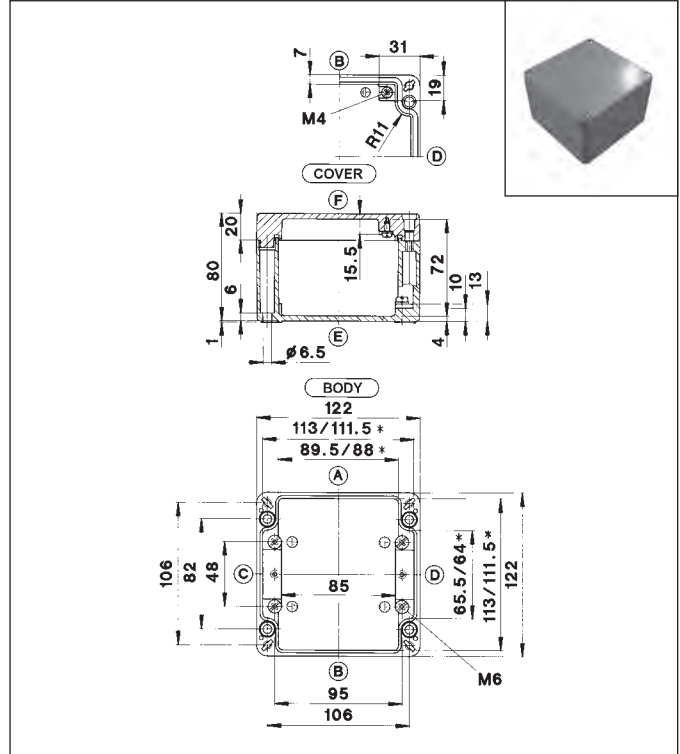
CA-215
Aluminium enclosures



* Smaller dimension at mounting plate support

122 x 122 x 80 mm

CA-220
Aluminium enclosures



* Smaller dimension at mounting plate support

| Type | CA-215 |
|---|---|
| Weight (g) | 940 |
| External dimension (mm) | 122 x 122 x 90 |
| Ordering data Enclosure (painted) with seal (CR) with cover screws | Part number 1210000050 |
| unwashed, not painted, loose accessories | 1210012050 |
| Accessories (individual part or installation kit) | |
| Mounting plate | 9511150000 |
| Mounting rail TS 15 | - |
| Mounting rail TS 32 | 9821000000 |
| Mounting rail TS 35 | 9822001000 |
| Earthing rail | 9810002000 |
| External mounting brackets | 9824024000 |
| External articulated hinges | 9801047000 |
| Internal articulated hinges with cover guide** | 9801031000 |
| Silicone seal for extended temperature range (by the metre) | on request |
| Maximum possible number of threads | |
| ISO M | 12 16 20 25 32 40 50 63 |
| Side A/B | 12 6 4 2 2 0 0 0 |
| Side C/D | 5 2 2 1 0 0 0 0 |

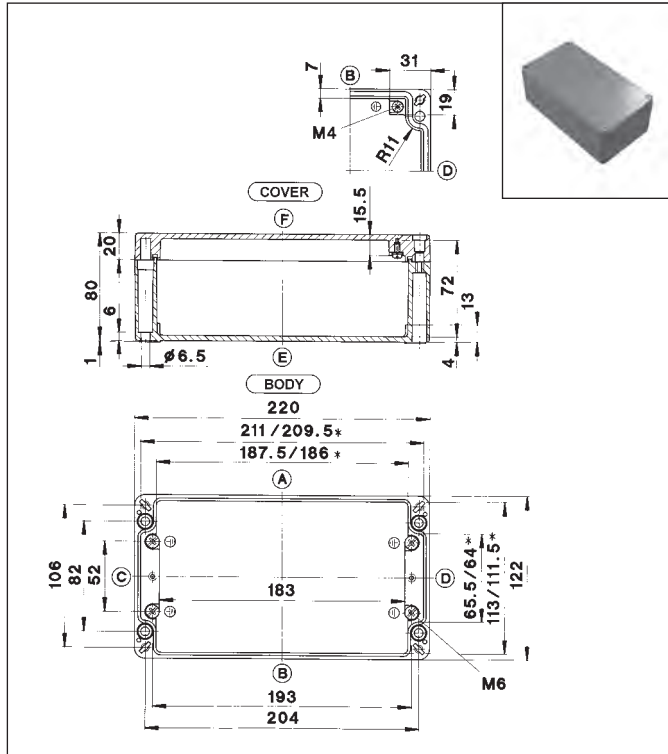
** Enclosure preparation required

| Type | CA-220 |
|---|---|
| Weight (g) | 940 |
| External dimension (mm) | 122 x 122 x 80 |
| Ordering data Enclosure (painted) with seal (CR) with cover screws | Part number 1220000000 |
| unwashed, not painted, loose accessories | 1220061000 |
| Accessories (individual part or installation kit) | |
| Mounting plate | 9511008000 |
| Mounting rail TS 15 | - |
| Mounting rail TS 32 | 9821000000 |
| Mounting rail TS 35 | 9822001000 |
| Earthing rail | 9810002000 |
| External mounting brackets | 9824024000 |
| External articulated hinges | 9801047000 |
| Internal articulated hinges with cover guide** | 9801031000 |
| Silicone seal for extended temperature range (by the metre) | on request |
| Maximum possible number of threads | |
| ISO M | 12 16 20 25 32 40 50 63 |
| Side A/B | 12 6 4 2 2 0 0 0 |
| Side C/D | 5 2 2 1 0 0 0 0 |

** Enclosure preparation required

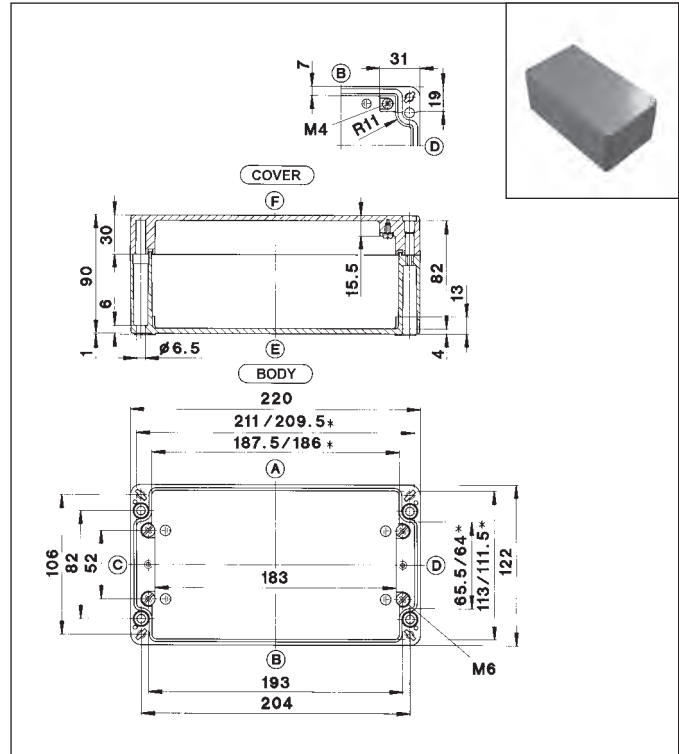
220 x 122 x 80 mm

CA-230
Aluminium enclosures



220 x 122 x 90 mm

CA-235
Aluminium enclosures



* Smaller dimension at mounting plate support

* Smaller dimension at mounting plate support

| Type | CA-230 |
|---|-------------------------|
| Weight (g) | 1410 |
| External dimension (mm) | 220 x 122 x 80 |
| Ordering data Enclosure (painted) with seal (CR) | Part number |
| with cover screws | 1230000000 |
| unwashed, not painted, loose accessories | 1230015000 |
| Accessories (individual part or installation kit) | |
| Mounting plate | 9511095000 |
| Mounting rail TS 15 | - |
| Mounting rail TS 32 | 9821005000 |
| Mounting rail TS 35 | 9822007000 |
| Earthing rail | 9810008000 |
| External mounting brackets | 9824024000 |
| External articulated hinges | 9801047000 |
| Internal articulated hinges with cover guide** | 9801031000 |
| Silicone seal for extended temperature range (by the metre) | on request |
| Maximum possible number of threads | |
| ISO M | 12 16 20 25 32 40 50 63 |
| Side A/B | 27 12 8 5 4 0 0 0 |
| Side C/D | 5 2 2 1 0 0 0 0 |

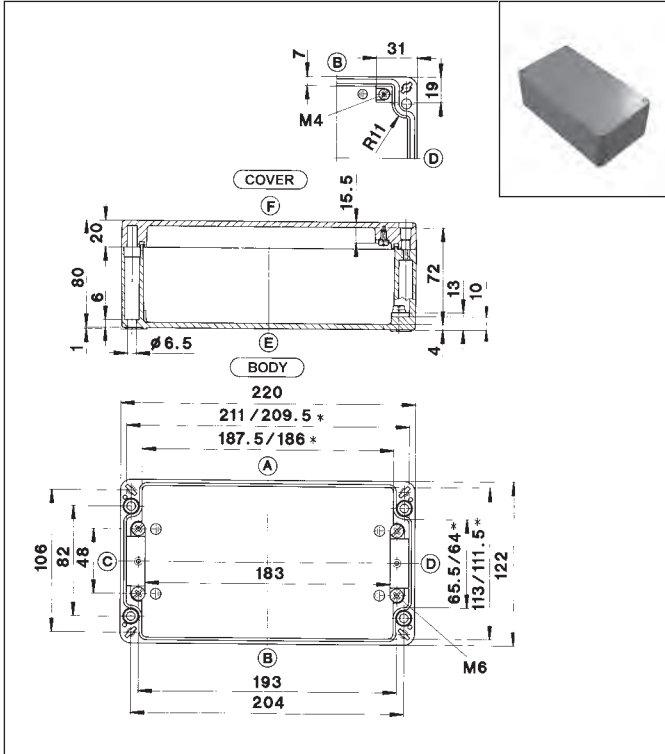
** Enclosure preparation required

| Type | CA-235 |
|---|-------------------------|
| Weight (g) | 1410 |
| External dimension (mm) | 220 x 122 x 90 |
| Ordering data Enclosure (painted) with seal (CR) | Part number |
| with cover screws | 1230000050 |
| unwashed, not painted, loose accessories | 1230012050 |
| Accessories (individual part or installation kit) | |
| Mounting plate | 9511095000 |
| Mounting rail TS 15 | - |
| Mounting rail TS 32 | 9821005000 |
| Mounting rail TS 35 | 9822007000 |
| Earthing rail | 9810008000 |
| External mounting brackets | 9824024000 |
| External articulated hinges | 9801047000 |
| Internal articulated hinges with cover guide** | 9801031000 |
| Silicone seal for extended temperature range (by the metre) | on request |
| Maximum possible number of threads | |
| ISO M | 12 16 20 25 32 40 50 63 |
| Side A/B | 27 12 8 5 4 0 0 0 |
| Side C/D | 5 2 2 1 0 0 0 0 |

** Enclosure preparation required

220 x 122 x 80 mm

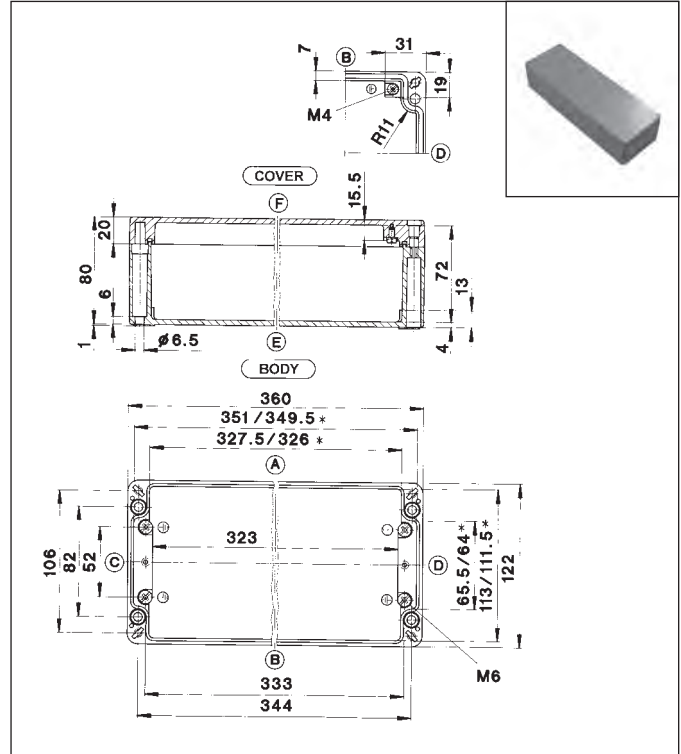
CA-240
Aluminium enclosures



* Smaller dimension at mounting plate support

360 x 122 x 80 mm

CA-250
Aluminium enclosures



* Smaller dimension at mounting plate support

| Type | CA-240 |
|---|---------------------------------|
| Weight (g) | 1410 |
| External dimension (mm) | 220 x 122 x 80 |
| Ordering data Enclosure (painted) with seal (CR) with cover screws | Part number 124000000 |
| unwashed, not painted, loose accessories | 1240082000 |
| Accessories (individual part or installation kit) | |
| Mounting plate | 9511009000 |
| Mounting rail TS 15 | - |
| Mounting rail TS 32 | 9821005000 |
| Mounting rail TS 35 | 9822007000 |
| Earthing rail | 9810008000 |
| External mounting brackets | 9820024000 |
| External articulated hinges | 9801047000 |
| Internal articulated hinges with cover guide** | 9801031000 |
| Silicone seal for extended temperature range (by the metre) | on request |
| Maximum possible number of threads | |
| ISO M | 12 16 20 25 32 40 50 63 |
| Side A/B | 27 12 8 5 4 0 0 0 |
| Side C/D | 5 2 2 1 0 0 0 0 |

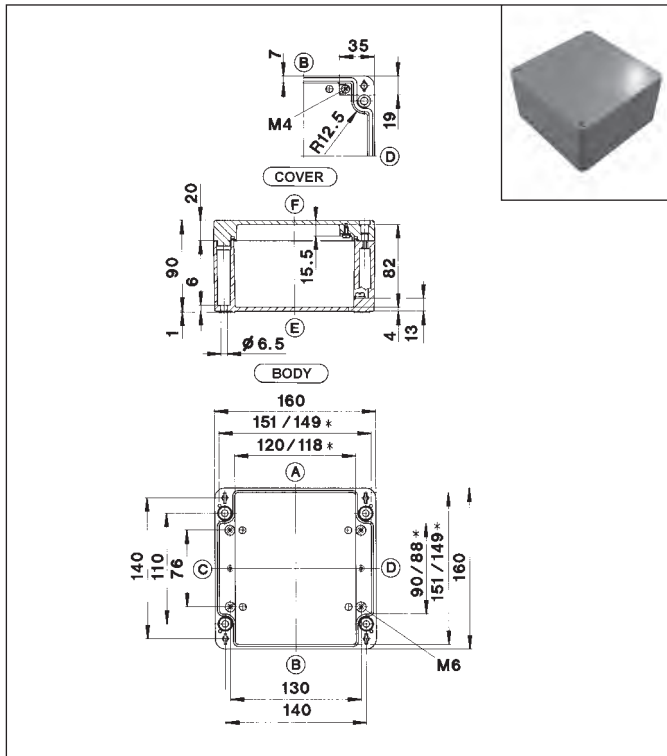
** Enclosure preparation required

| Type | CA-250 |
|---|----------------------------------|
| Weight (g) | 1860 |
| External dimension (mm) | 360 x 122 x 80 |
| Ordering data Enclosure (painted) with seal (CR) with cover screws | Part number 1250000000 |
| unwashed, not painted, loose accessories | 1250011000 |
| Accessories (individual part or installation kit) | |
| Mounting plate | 9511174000 |
| Mounting rail TS 15 | - |
| Mounting rail TS 32 | 9821012000 |
| Mounting rail TS 35 | 9822015000 |
| Earthing rail | 9810014000 |
| External mounting brackets | 9824024000 |
| External articulated hinges | 9801047000 |
| Internal articulated hinges with cover guide** | 9801031000 |
| Silicone seal for extended temperature range (by the metre) | on request |
| Maximum possible number of threads | |
| ISO M | 12 16 20 25 32 40 50 63 |
| Side A/B | 48 21 16 9 6 0 0 0 |
| Side C/D | 5 2 2 1 0 0 0 0 |

** Enclosure preparation required

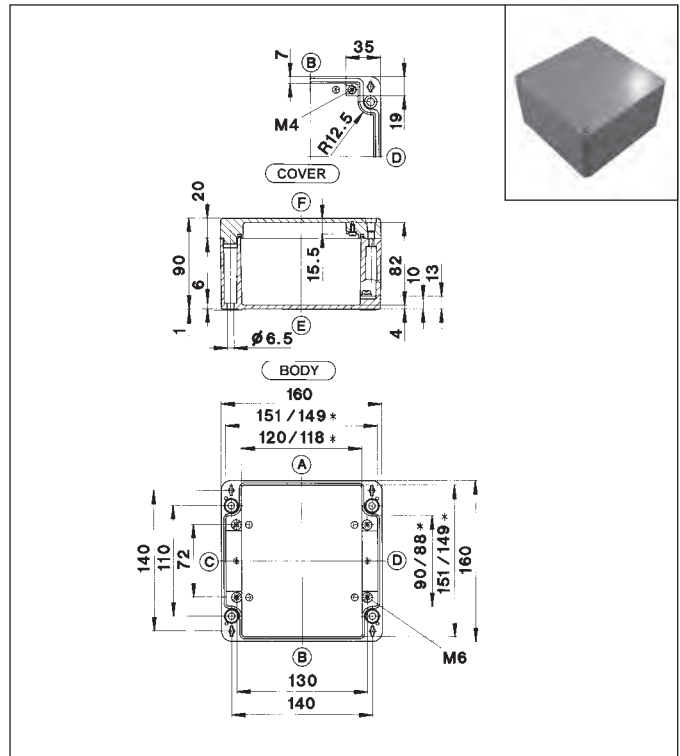
160 x 160 x 90 mm

CA-270
Aluminium enclosures



160 x 160 x 90 mm

CA-280
Aluminium enclosures



* Smaller dimension at mounting plate support

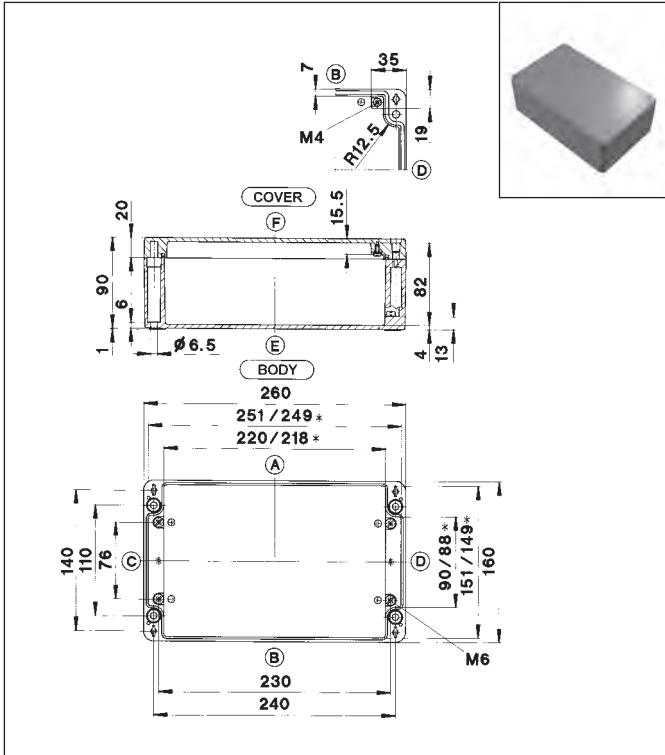
* Smaller dimension at mounting plate support

| Type | CA-270 |
|--|--|
| Weight (g) | 1410 |
| External dimension (mm) | 160 x 160 x 90 |
| Ordering data Enclosure (painted) with seal (CR) with cover screws unwashed, not painted, loose accessories | Part number 1270000000 1270013000 |
| Accessories (individual part or installation kit) | |
| Mounting plate | 9511149000 |
| Mounting rail TS 15 | - |
| Mounting rail TS 32 | 9821002000 |
| Mounting rail TS 35 | 9822003000 |
| Earthing rail | 9810004000 |
| External mounting brackets | 9824024000 |
| External articulated hinges | 9801047000 |
| Internal articulated hinges with cover guide** | 9801030000 |
| Silicone seal for extended temperature range (by the metre) | on request |
| Maximum possible number of threads | |
| ISO M | 12 16 20 25 32 40 50 63 |
| Side A/B | 20 9 6 4 2 2 1 0 |
| Side C/D | 8 4 3 2 2 0 0 0 |
| ** Enclosure preparation required | |

| Type | CA-280 |
|--|--|
| Weight (g) | 1410 |
| External dimension (mm) | 160 x 160 x 90 |
| Ordering data Enclosure (painted) with seal (CR) with cover screws unwashed, not painted, loose accessories | Part number 1280000000 1280033000 |
| Accessories (individual part or installation kit) | |
| Mounting plate | 9511011000 |
| Mounting rail TS 15 | - |
| Mounting rail TS 32 | 9821002000 |
| Mounting rail TS 35 | 9822003000 |
| Earthing rail | 9810004000 |
| External mounting brackets | 9824024000 |
| External articulated hinges | 9801047000 |
| Internal articulated hinges with cover guide** | 9801030000 |
| Silicone seal for extended temperature range (by the metre) | on request |
| Maximum possible number of threads | |
| ISO M | 12 16 20 25 32 40 50 63 |
| Side A/B | 20 9 6 4 2 2 1 0 |
| Side C/D | 8 4 3 2 2 0 0 0 |
| ** Enclosure preparation required | |

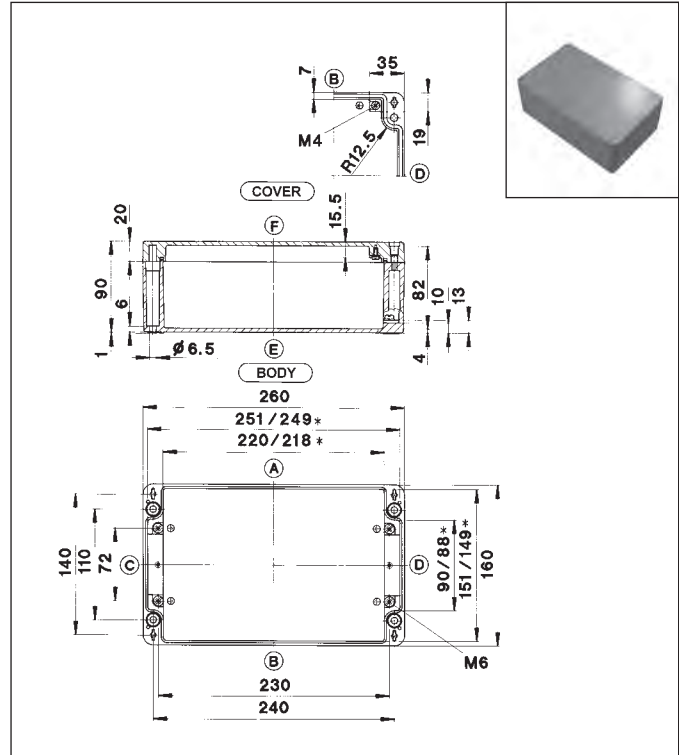
260 x 160 x 90 mm

CA-290
Aluminium enclosures



260 x 160 x 90 mm

CA-300
Aluminium enclosures



* Smaller dimension at mounting plate support

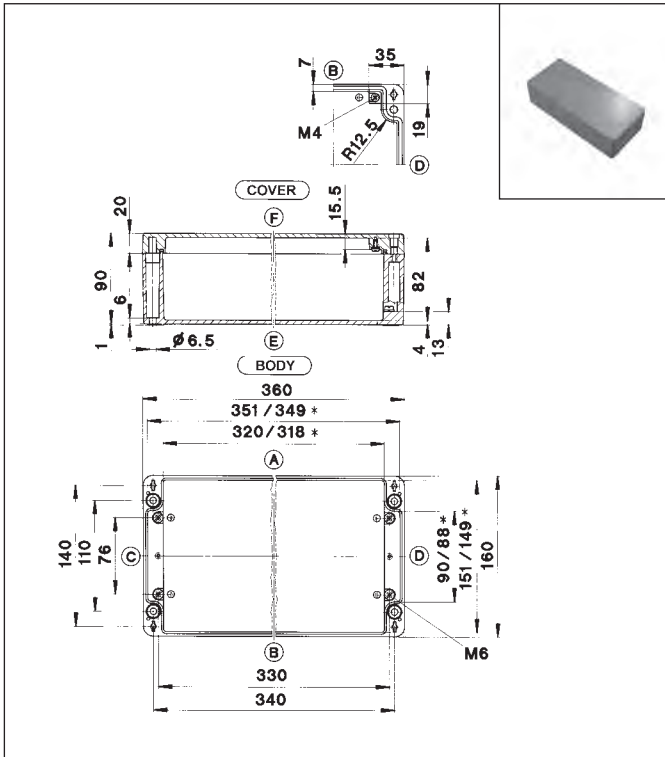
* Smaller dimension at mounting plate support

| Type | CA-290 |
|--|--|
| Weight (g) | 1960 |
| External dimension (mm) | 260 x 160 x 90 |
| Ordering data Enclosure (painted) with seal (CR) with cover screws unwashed, not painted, loose accessories | Part number 1290000000 1290011000 |
| Accessories (individual part or installation kit) | |
| Mounting plate | 9511096000 |
| Mounting rail TS 15 | - |
| Mounting rail TS 32 | 9821008000 |
| Mounting rail TS 35 | 9822011000 |
| Earthing rail | 9810010000 |
| External mounting brackets | 9824024000 |
| External articulated hinges | 9801047000 |
| Internal articulated hinges with cover guide** | 9801030000 |
| Silicone seal for extended temperature range (by the metre) | on request |
| Maximum possible number of threads | |
| ISO M | 12 16 20 25 32 40 50 63 |
| Side A/B | 36 17 12 7 4 3 3 0 |
| Side C/D | 8 4 3 2 2 0 0 0 |
| ** Enclosure preparation required | |

| Type | CA-300 |
|--|--|
| Weight (g) | 1960 |
| External dimension (mm) | 260 x 160 x 90 |
| Ordering data Enclosure (painted) with seal (CR) with cover screws unwashed, not painted, loose accessories | Part number 1300000000 1300041000 |
| Accessories (individual part or installation kit) | |
| Mounting plate | 9511012000 |
| Mounting rail TS 15 | - |
| Mounting rail TS 32 | 9821008000 |
| Mounting rail TS 35 | 9822011000 |
| Earthing rail | 9810010000 |
| External mounting brackets | 9824024000 |
| External articulated hinges | 9801047000 |
| Internal articulated hinges with cover guide** | 9801030000 |
| Silicone seal for extended temperature range (by the metre) | on request |
| Maximum possible number of threads | |
| ISO M | 12 16 20 25 32 40 50 63 |
| Side A/B | 36 17 12 7 4 3 3 0 |
| Side C/D | 8 4 3 2 2 0 0 0 |
| ** Enclosure preparation required | |

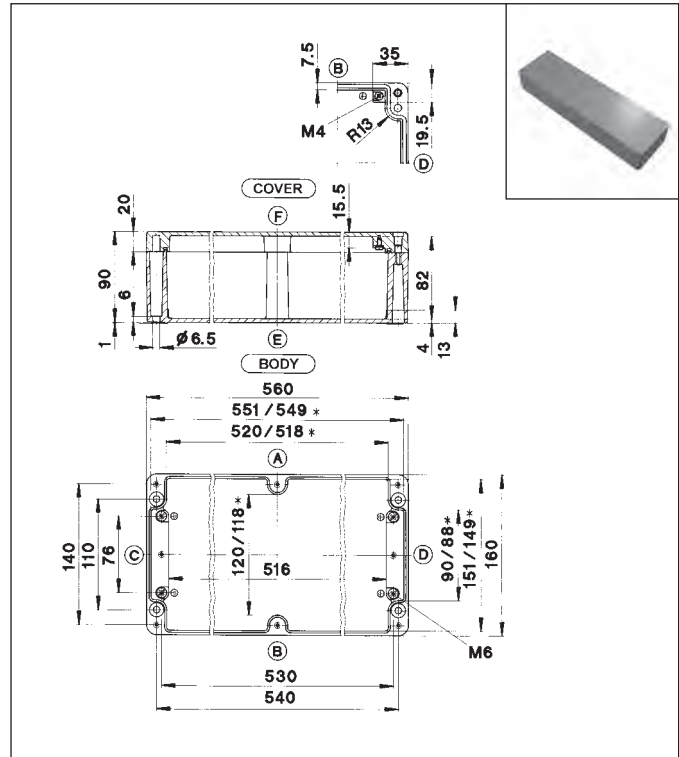
360 x 160 x 90 mm

CA-310
Aluminium enclosures



560 x 160 x 90 mm

CA-330
Aluminium enclosures



* Smaller dimension at mounting plate support

* Smaller dimension at mounting plate support

| Type | CA-310 |
|---|---|
| Weight (g) | 2550 |
| External dimension (mm) | 360 x 160 x 90 |
| Ordering data Enclosure (painted) with seal (CR) with cover screws unwashed, not painted, loose accessories | Part number 131000000 1310071000 |
| Accessories (individual part or installation kit) | |
| Mounting plate | 9511175000 |
| Mounting rail TS 15 | - |
| Mounting rail TS 32 | 9821012000 |
| Mounting rail TS 35 | 9822015000 |
| Earthing rail | 9810042000 |
| External mounting brackets | 9824024000 |
| External articulated hinges | 9801047000 |
| Internal articulated hinges with cover guide** | 9801030000 |
| Silicone seal for extended temperature range (by the metre) | on request |
| Maximum possible number of threads | |
| ISO M | 12 16 20 25 32 40 50 63 |
| Side A/B | 54 26 18 11 6 5 4 0 |
| Side C/D | 8 4 3 2 2 0 0 0 |

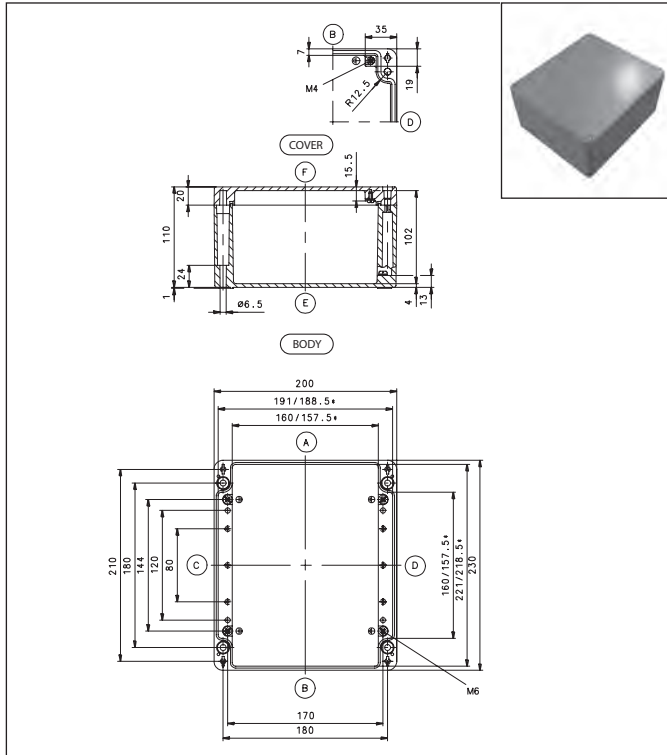
** Enclosure preparation required

| Type | CA-330 |
|---|---|
| Weight (g) | 4310 |
| External dimension (mm) | 560 x 160 x 90 |
| Ordering data Enclosure (painted) with seal (CR) with cover screws unwashed, not painted, loose accessories | Part number 133000000 1330022000 |
| Accessories (individual part or installation kit) | |
| Mounting plate | 9511014000 |
| Mounting rail TS 15 | - |
| Mounting rail TS 32 | 9821015000 |
| Mounting rail TS 35 | 9822018000 |
| Earthing rail | 9810016000 |
| External mounting brackets | 9824024000 |
| External articulated hinges | 9801047000 |
| Internal articulated hinges with cover guide** | 9801030000 |
| Silicone seal for extended temperature range (by the metre) | on request |
| Maximum possible number of threads | |
| ISO M | 12 16 20 25 32 40 50 63 |
| Side A/B | 84 40 28 16 10 8 6 0 |
| Side C/D | 8 4 3 2 2 0 0 0 |

** Enclosure preparation required

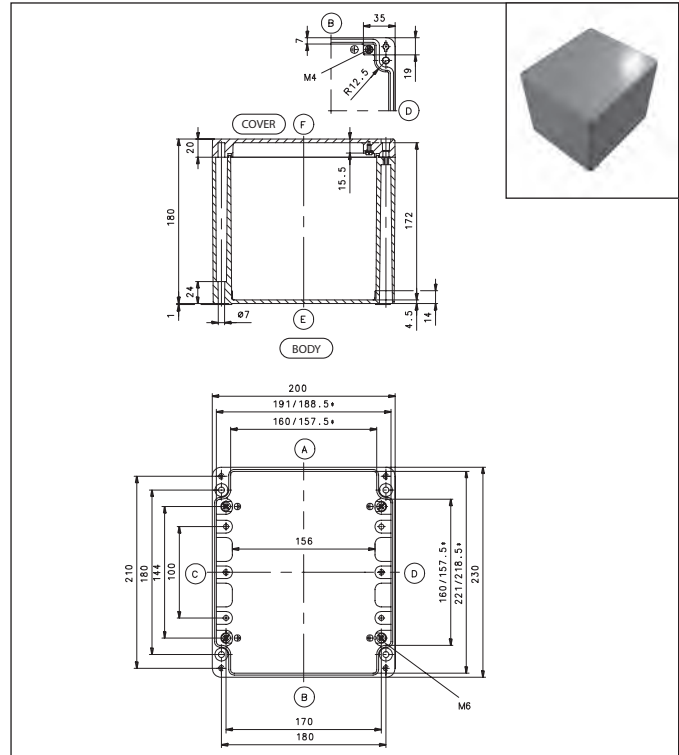
200 x 230 x 110 mm

CA-350
Aluminium enclosures



200 x 230 x 180 mm

CA-360
Aluminium enclosures



* Smaller dimension at mounting plate support

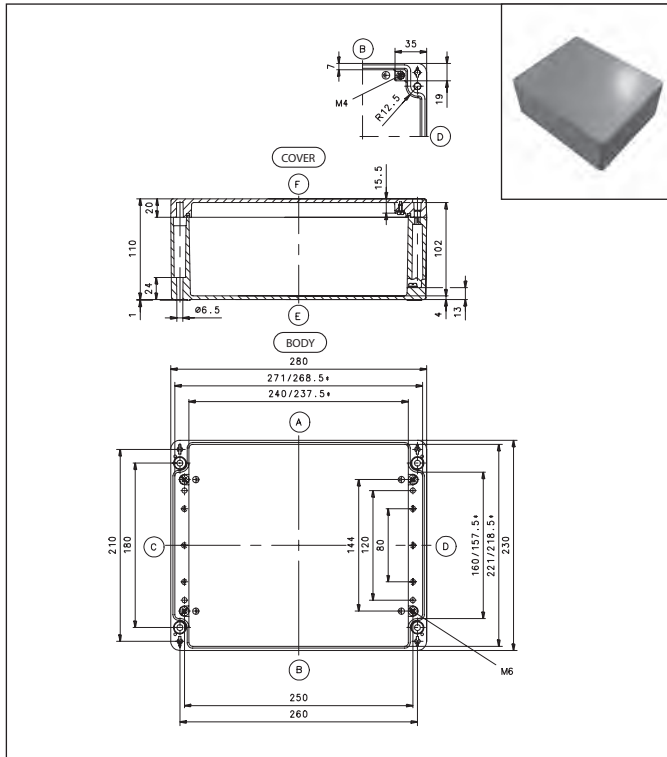
* Smaller dimension at mounting plate support

| Type | CA-350 |
|---|-------------------------|
| Weight (g) | 2730 |
| External dimension (mm) | 200 x 230 x 110 |
| Ordering data Enclosure (painted) with seal (CR) | Part number |
| with cover screws | 1350000000 |
| unwashed, not painted, loose accessories | 1350017000 |
| Accessories (individual part or installation kit) | |
| Mounting plate | 9511015000 |
| Mounting rail TS 15 | - |
| Mounting rail TS 32 | 9821003000 |
| Mounting rail TS 35 | 9822005000 |
| Earthing rail | 9810007000 |
| External mounting brackets | 9824023000 |
| External articulated hinges | 9801047000 |
| Internal articulated hinges with cover guide** | 9801030000 |
| Silicone seal for extended temperature range (by the metre) | on request |
| Maximum possible number of threads | |
| ISO M | 12 16 20 25 32 40 50 63 |
| Side A/B | 35 15 12 8 4 3 2 2 |
| Side C/D | 26 12 8 5 3 2 2 1 |
| ** Enclosure preparation required | |

| Type | CA-360 |
|---|-------------------------|
| Weight (g) | 3680 |
| External dimension (mm) | 200 x 230 x 180 |
| Ordering data Enclosure (painted) with seal (CR) | Part number |
| with cover screws | 1360000000 |
| unwashed, not painted, loose accessories | 1360043000 |
| Accessories (individual part or installation kit) | |
| Mounting plate | 9511015000 |
| Mounting rail TS 15 | - |
| Mounting rail TS 32 | 9821003000 |
| Mounting rail TS 35 | 9822005000 |
| Earthing rail | 9810007000 |
| External mounting brackets | 9824023000 |
| External articulated hinges | 9801047000 |
| Internal articulated hinges with cover guide** | 9801030000 |
| Silicone seal for extended temperature range (by the metre) | on request |
| Maximum possible number of threads | |
| ISO M | 12 16 20 25 32 40 50 63 |
| Side A/B | 56 32 20 13 9 5 4 4 |
| Side C/D | 52 27 18 12 8 5 3 3 |
| ** Enclosure preparation required | |

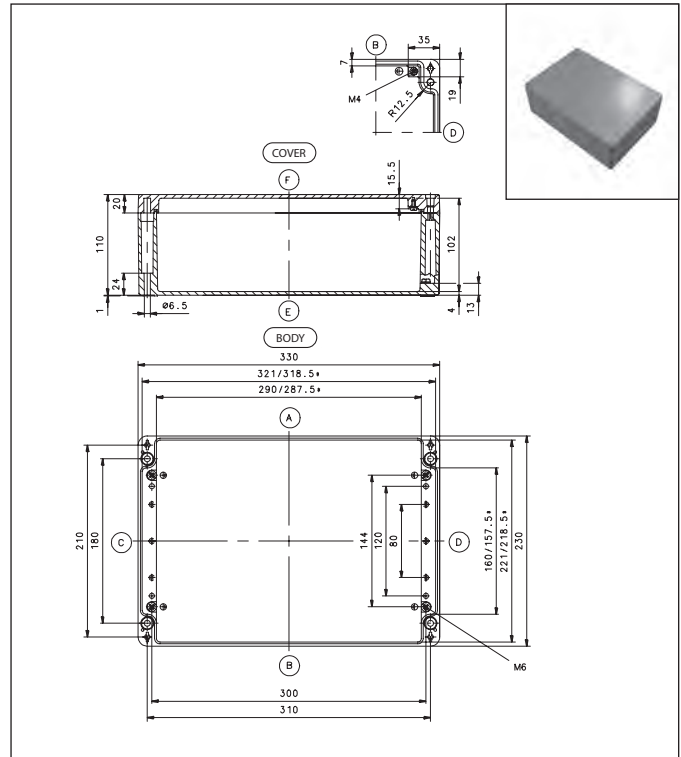
280 x 230 x 110 mm

CA-370 Aluminium enclosures



330 x 230 x 110 mm

CA-380 Aluminium enclosures



* Smaller dimension at mounting plate support

* Smaller dimension at mounting plate support

| Type | CA-370 |
|---|-------------------------|
| Weight (g) | 3840 |
| External dimension (mm) | 280 x 230 x 110 |
| Ordering data Enclosure (painted) with seal (CR) | Part number |
| with cover screws | 1370000000 |
| unwashed, not painted, loose accessories | 1370015000 |
| Accessories (individual part or installation kit) | |
| Mounting plate | 9511016000 |
| Mounting rail TS 15 | - |
| Mounting rail TS 32 | 9821009000 |
| Mounting rail TS 35 | 9822012000 |
| Earthing rail | 9810011000 |
| External mounting brackets | 9824023000 |
| External articulated hinges | 9801047000 |
| Internal articulated hinges with cover guide** | 9801030000 |
| Silicone seal for extended temperature range (by the metre) | on request |
| Maximum possible number of threads | |
| ISO M | 12 16 20 25 32 40 50 63 |
| Side A/B | 53 25 18 11 7 4 3 3 |
| Side C/D | 26 12 8 5 3 2 2 1 |

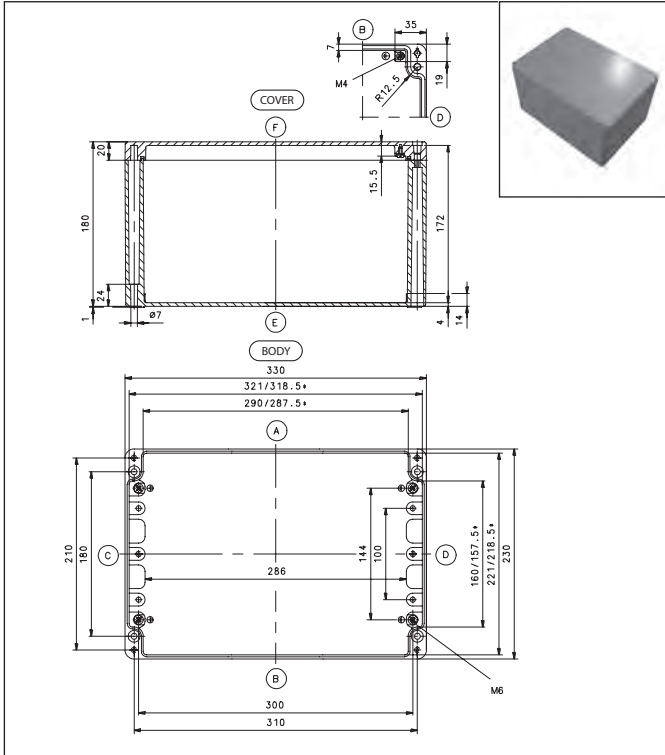
** Enclosure preparation required

| Type | CA-380 |
|---|-------------------------|
| Weight (g) | 4270 |
| External dimension (mm) | 330 x 230 x 110 |
| Ordering data Enclosure (painted) with seal (CR) | Part number |
| with cover screws | 1380000000 |
| unwashed, not painted, loose accessories | 1380014000 |
| Accessories (individual part or installation kit) | |
| Mounting plate | 9511017000 |
| Mounting rail TS 15 | - |
| Mounting rail TS 32 | 9821011000 |
| Mounting rail TS 35 | 9822014000 |
| Earthing rail | 9810013000 |
| External mounting brackets | 9824023000 |
| External articulated hinges | 9801047000 |
| Internal articulated hinges with cover guide** | 9801030000 |
| Silicone seal for extended temperature range (by the metre) | on request |
| Maximum possible number of threads | |
| ISO M | 12 16 20 25 32 40 50 63 |
| Side A/B | 65 30 23 12 9 5 4 3 |
| Side C/D | 24 12 8 5 3 2 2 1 |

** Enclosure preparation required

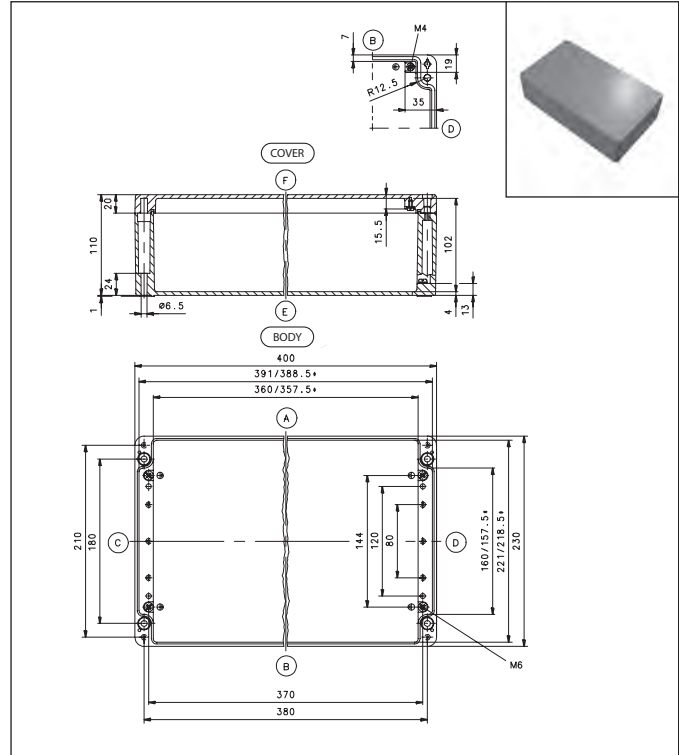
330 x 230 x 180 mm

CA-390
Aluminium enclosures



400 x 230 x 110 mm

CA-400
Aluminium enclosures



* Smaller dimension at mounting plate support

* Smaller dimension at mounting plate support

| Type | CA-390 |
|---|---|
| Weight (g) | 5300 |
| External dimension (mm) | 330 x 230 x 180 |
| Ordering data Enclosure (painted) with seal (CR) with cover screws | Part number 1390000000 |
| unwashed, not painted, loose accessories | 1390012000 |
| Accessories (individual part or installation kit) | |
| Mounting plate | 9511017000 |
| Mounting rail TS 15 | - |
| Mounting rail TS 32 | 9821011000 |
| Mounting rail TS 35 | 9822014000 |
| Earthing rail | 9810013000 |
| External mounting brackets | 9824023000 |
| External articulated hinges | 9801047000 |
| Internal articulated hinges with cover guide** | 9801030000 |
| Silicone seal for extended temperature range (by the metre) | on request |
| Maximum possible number of threads | |
| ISO M | 12 16 20 25 32 40 50 63 |
| Side A/B | 108 54 40 25 15 9 8 6 |
| Side C/D | 52 27 18 12 8 5 3 3 |

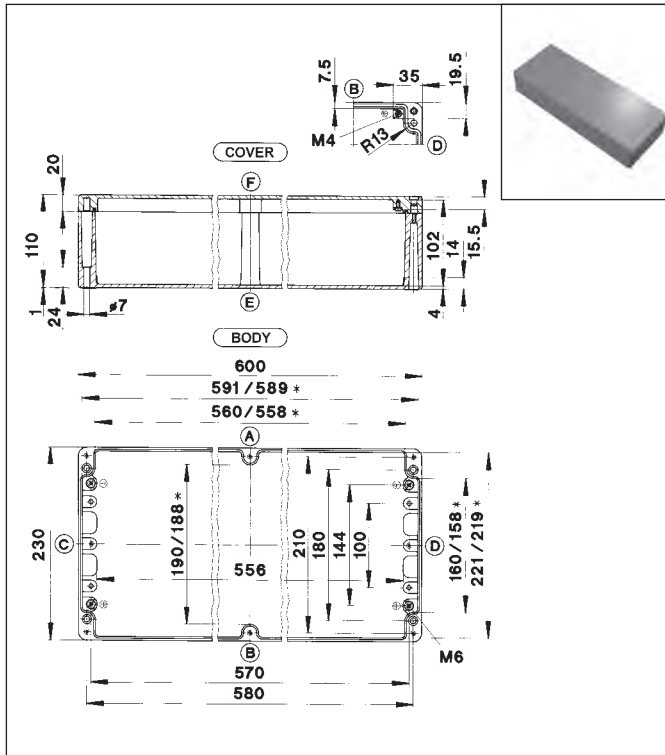
** Enclosure preparation required

| Type | CA-400 |
|---|---|
| Weight (g) | 4870 |
| External dimension (mm) | 400 x 230 x 110 |
| Ordering data Enclosure (painted) with seal (CR) with cover screws | Part number 1400000000 |
| unwashed, not painted, loose accessories | 1400013000 |
| Accessories (individual part or installation kit) | |
| Mounting plate | 9511294000 |
| Mounting rail TS 15 | - |
| Mounting rail TS 32 | 9821014000 |
| Mounting rail TS 35 | 9822017000 |
| Earthing rail | 9810015000 |
| External mounting brackets | 9824023000 |
| External articulated hinges | 9801047000 |
| Internal articulated hinges with cover guide** | 9801030000 |
| Silicone seal for extended temperature range (by the metre) | on request |
| Maximum possible number of threads | |
| ISO M | 12 16 20 25 32 40 50 63 |
| Side A/B | 80 38 27 17 11 6 5 4 |
| Side C/D | 26 12 8 5 3 2 2 1 |

** Enclosure preparation required

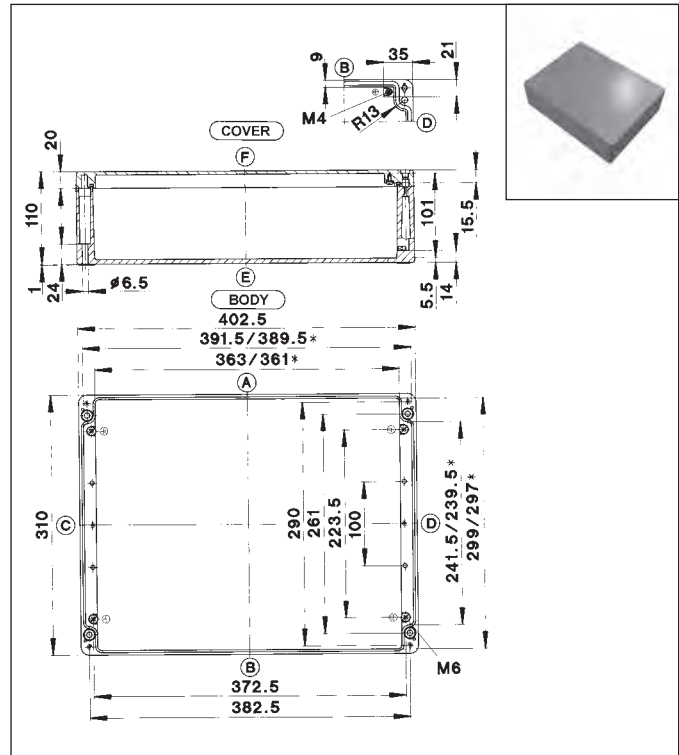
600 x 230 x 110 mm

CA-420 Aluminium enclosures



402,5 x 310 x 110 mm

CA-450 Aluminium enclosures



* Smaller dimension at mounting plate support

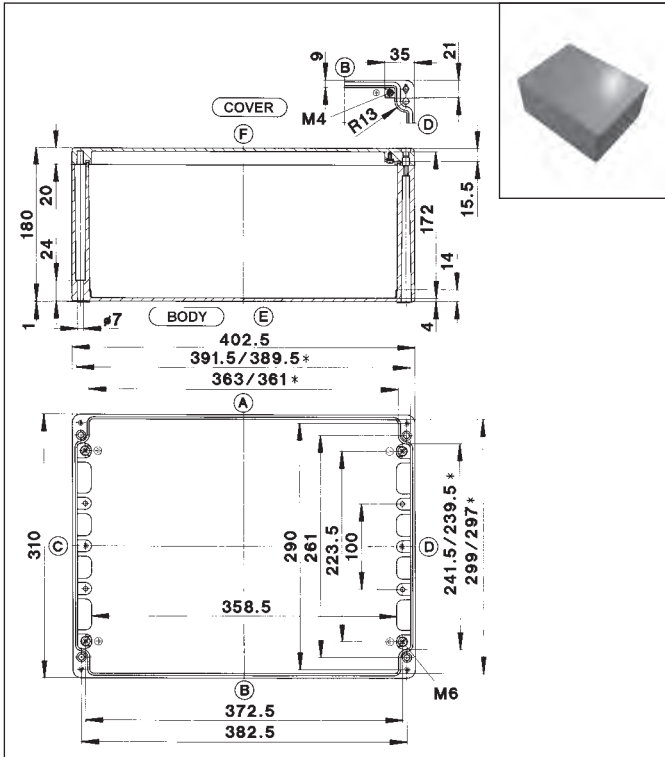
* Smaller dimension at mounting plate support

| Type | CA-420 |
|---|--|
| Weight (g) | 6380 |
| External dimension (mm) | 600 x 230 x 110 |
| Ordering data Enclosure (painted) with seal (CR) with cover screws | Part number 142000000 |
| Unwashed, not painted, loose accessories | 1420011000 |
| Accessories (individual part or installation kit) | |
| Mounting plate | 9511019000 |
| Mounting rail TS 15 | - |
| Mounting rail TS 32 | 9821016000 |
| Mounting rail TS 35 | 9822019000 |
| Earthing rail | 9810017000 |
| External mounting brackets | 9824023000 |
| External articulated hinges | 9801047000 |
| Internal articulated hinges with cover guide** | 9801030000 |
| Silicone seal for extended temperature range (by the metre) | on request |
| Maximum possible number of threads | |
| ISO M | 12 16 20 25 32 40 50 63 |
| Side A/B | 120 56 42 24 16 8 8 6 |
| Side C/D | 28 13 8 5 3 2 2 1 |
| ** Enclosure preparation required | |

| Type | CA-450 |
|---|--|
| Weight (g) | 5810 |
| External dimension (mm) | 402,5 x 310 x 110 |
| Ordering data Enclosure (painted) with seal (CR) with cover screws | Part number 145000000 |
| Unwashed, not painted, loose accessories | 1450025000 |
| Accessories (individual part or installation kit) | |
| Mounting plate | 9511020000 |
| Mounting rail TS 15 | - |
| Mounting rail TS 32 | 9821014000 |
| Mounting rail TS 35 | 9822017000 |
| Earthing rail | 9810015000 |
| External mounting brackets | 9824023000 |
| External articulated hinges | 9801047000 |
| Internal articulated hinges with cover guide** | 9801030000 |
| Silicone seal for extended temperature range (by the metre) | on request |
| Maximum possible number of threads | |
| ISO M | 12 16 20 25 32 40 50 63 |
| Side A/B | 80 38 27 17 11 6 5 4 |
| Side C/D | 38 21 13 7 5 4 3 2 |
| ** Enclosure preparation required | |

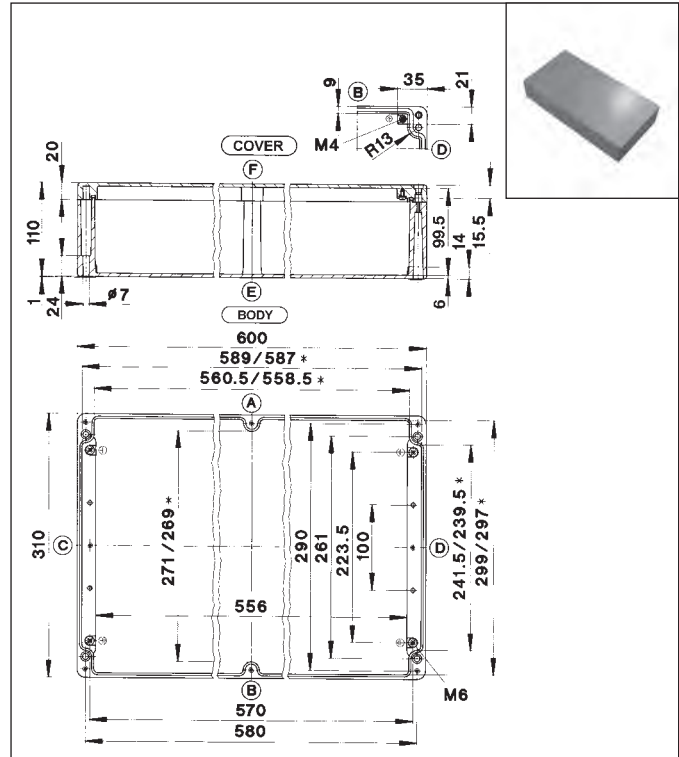
402,5 x 310 x 180 mm

CA-460
Aluminium enclosures



600 x 310 x 110 mm

CA-470
Aluminium enclosures



* Smaller dimension at mounting plate support

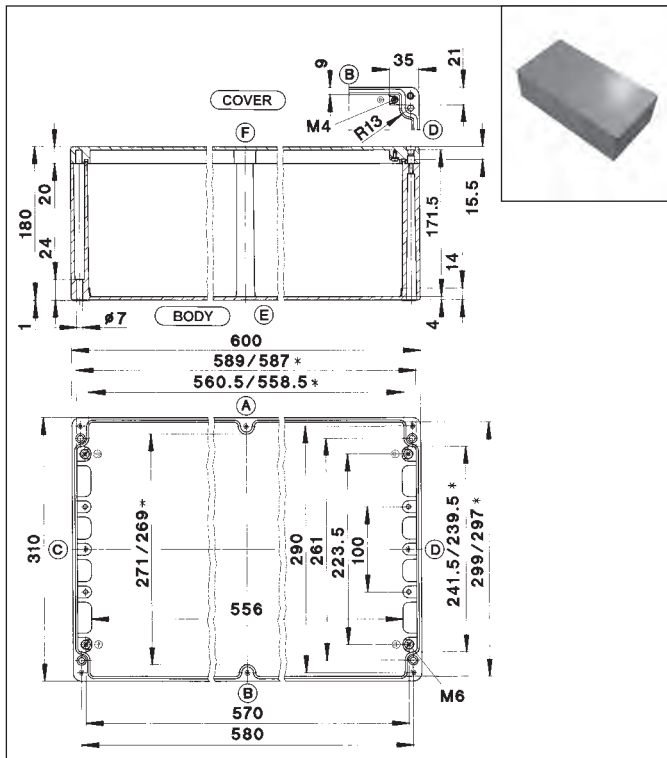
* Smaller dimension at mounting plate support

| Type | CA-460 |
|---|-------------------------|
| Weight (g) | 7420 |
| External dimension (mm) | 402,5 x 310 x 180 |
| Ordering data Enclosure (painted) with seal (CR) | Part number |
| with cover screws | 1460000000 |
| unwashed, not painted, loose accessories | 1460049000 |
| Accessories (individual part or installation kit) | |
| Mounting plate | 9511020000 |
| Mounting rail TS 15 | - |
| Mounting rail TS 32 | 9821014000 |
| Mounting rail TS 35 | 9822017000 |
| Earthing rail | 9810015000 |
| External mounting brackets | 9824023000 |
| External articulated hinges | 9801047000 |
| Internal articulated hinges with cover guide** | 9801030000 |
| Silicone seal for extended temperature range (by the metre) | on request |
| Maximum possible number of threads | |
| ISO M | 12 16 20 25 32 40 50 63 |
| Side A/B | 136 68 50 30 21 12 10 8 |
| Side C/D | 74 38 28 18 12 8 6 3 |
| ** Enclosure preparation required | |

| Type | CA-470 |
|---|-------------------------|
| Weight (g) | 8480 |
| External dimension (mm) | 600 x 310 x 110 |
| Ordering data Enclosure (painted) with seal (CR) | Part number |
| with cover screws | 1470000000 |
| unwashed, not painted, loose accessories | 1470062000 |
| Accessories (individual part or installation kit) | |
| Mounting plate | 9511021000 |
| Mounting rail TS 15 | - |
| Mounting rail TS 32 | 9821016000 |
| Mounting rail TS 35 | 9822019000 |
| Earthing rail | 9810017000 |
| External mounting brackets | 9824023000 |
| External articulated hinges | 9801047000 |
| Internal articulated hinges with cover guide** | 9801030000 |
| Silicone seal for extended temperature range (by the metre) | on request |
| Maximum possible number of threads | |
| ISO M | 12 16 20 25 32 40 50 63 |
| Side A/B | 120 56 42 24 16 8 8 6 |
| Side C/D | 38 17 13 7 5 4 3 2 |
| ** Enclosure preparation required | |

600 x 310 x 180 mm

CA-480
Aluminium enclosures



* Smaller dimension at mounting plate support

| | |
|---|---------------------------|
| Type | CA-480 |
| Weight (g) | 10840 |
| External dimension (mm) | 600 x 310 x 180 |
| Ordering data Enclosure (painted) with seal (CR) | Part number |
| with cover screws | 1480000000 |
| unwashed, not painted, loose accessories | 1480017000 |
| Accessories (individual part or installation kit) | |
| Mounting plate | 9511021000 |
| Mounting rail TS 15 | - |
| Mounting rail TS 32 | 9821016000 |
| Mounting rail TS 35 | 9822019000 |
| Earthing rail | 9810017000 |
| External mounting brackets | 9824023000 |
| External articulated hinges | 9801047000 |
| Internal articulated hinges with cover guide** | 9801030000 |
| Silicone seal for extended temperature range (by the metre) | on request |
| Maximum possible number of threads | |
| ISO M | 12 16 20 25 32 40 50 63 |
| Side A/B | 200 100 76 46 30 18 14 12 |
| Side C/D | 74 38 28 18 12 8 6 5 |
| ** Enclosure preparation required | |